



HAINBUCH'S SPANNTOP COMBI DEADLENGTH COLLET CHUCK



QUICK-CHANGE

- Reduced set-up time

ACCURACY, QUICK CHANGEOVER

- Accomodation for inconsistent stock diameter

THE CLAMPING HEAD (COLLET) CONSISTS OF HARDENED AND GROUND STEEL SEGMENTS THAT LINK TOGETHER BY A VULCANIZATION PROCESS

- Assure durability and longevity of the collet and vulcanization



OFFERS ZERO LINEAR MOVEMENT OF THE WORK PIECE WHEN THE SYSTEM IS ACTUATED

- Ideal for second operation work and sub-spindle applications



SALES

FREE IN-PLANT
COST-JUSTIFICATION,
ENGINEERING ANALYSIS



SERVICE

INSTALLATION BY YOUR LOCAL ATS SERVICE
ENGINEERS - OUR TECHNICIANS TRAIN YOUR
OPERATING PERSONNEL



SUPPORT

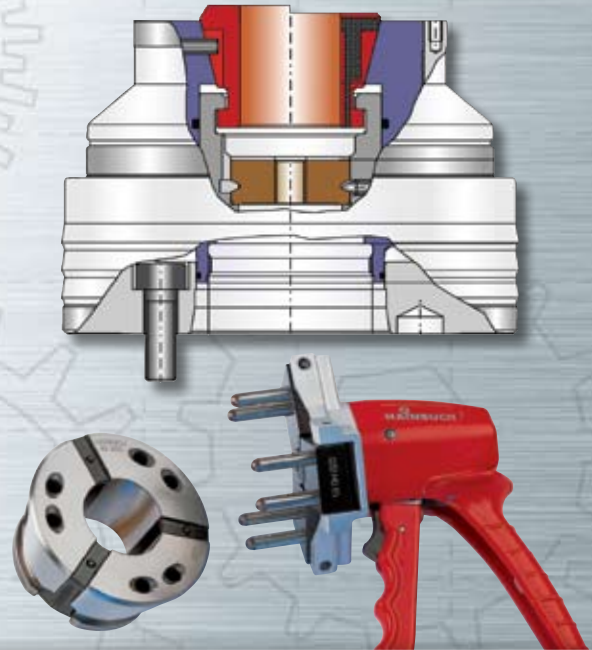
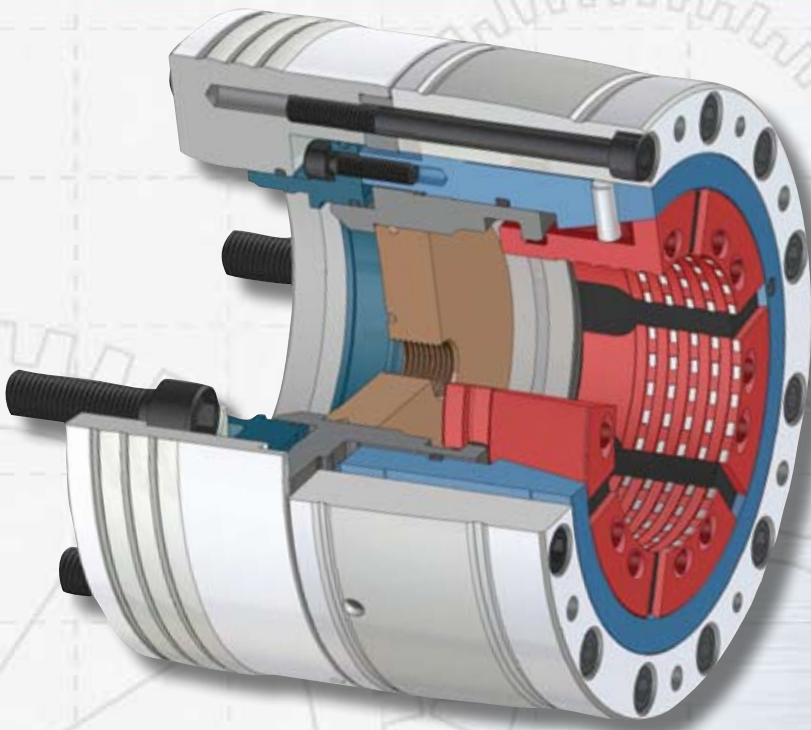
FIX-IT-FIRST,
ASK-QUESTIONS-LATER
SERVICE PHILOSOPHY



FORMERLY ATS WORKHOLDING & SMW SYSTEMS

COLLET CHUCKS

PLACE DEALER
STICKER HERE



SPECIFICATIONS

Item #	Description	Mount	OAL	Flange Dia	Nose Dia	Capacity
32KK4	A4-HB32TL	A4	120mm 4.475"	145mm 5.709"	100mm 3.937"	32mm 1.259"
32KK5	A5-HB32TL	A5	120mm 4.475"	145mm 5.709"	100mm 3.937"	32mm 1.259"
42KK5	A5-HB42TL	A5	120mm 4.475"	145mm 5.709"	140mm 5.511"	42mm 1.653"
42KK6	A6-HB42TL	A6	120mm 4.475"	162mm 6.378"	140mm 5.511"	42mm 1.653"
52KK5	A5-HB52TL	A5	120mm 4.475"	145mm 5.708"	140mm 5.511"	52mm 2.047"
52KK6	A6-HB52TL	A6	120mm 4.475"	162mm 6.378"	140mm 5.511"	52mm 2.047"
65KK5	A5-HB65TL	A5	135mm 5.315"	165mm 6.496"	160mm 6.299"	65mm 2.559"
65KK6	A6-HB65TL	A6	135mm 5.315"	165mm 6.496"	160mm 6.299"	65mm 2.559"
65KK8	A8-HB65TL	A8	135mm 5.315"	210mm 8.268"	160mm 6.299"	65mm 2.559"
80KK6	A6-HB80TL	A6	145mm 5.709"	179mm 7.047"	175MM 6.890"	80mm 3.150"
80KK8	A8-HB80TL	A8	145mm 5.709"	210mm 8.268"	175mm 6.890"	80mm 3.150"
100KK6	A6-HB100TL	A6	175mm 6.890"	220mm 8.662"	215mm 8.465"	100mm 3.937"
100KK8	A8-HB100TL	A8	175mm 6.890"	220mm 8.662"	215mm 8.465"	100mm 3.937"



QUICK JAW CHUCKS



BARFEEDS



ROTARY TABLES



AIR CHUCKS



STEADYRESTS

Copyright, March 2008, ATS Systems. All Right Reserved. Specifications subject to change without notice.

ATS SYSTEMS

800.423.4651 WWW.ATS-S.COM

949.888.1744 fax 949.888.8336 30222 Esperanza, R.S.M., CA 92688

