

Complete Your Investment



ATS Systems : formerly ATS Workholding & SMW Systems

OMNIREST SELF-CENTERING STEADYREST

MODELS SLZ & SLZB

Spare Parts List and Drawings



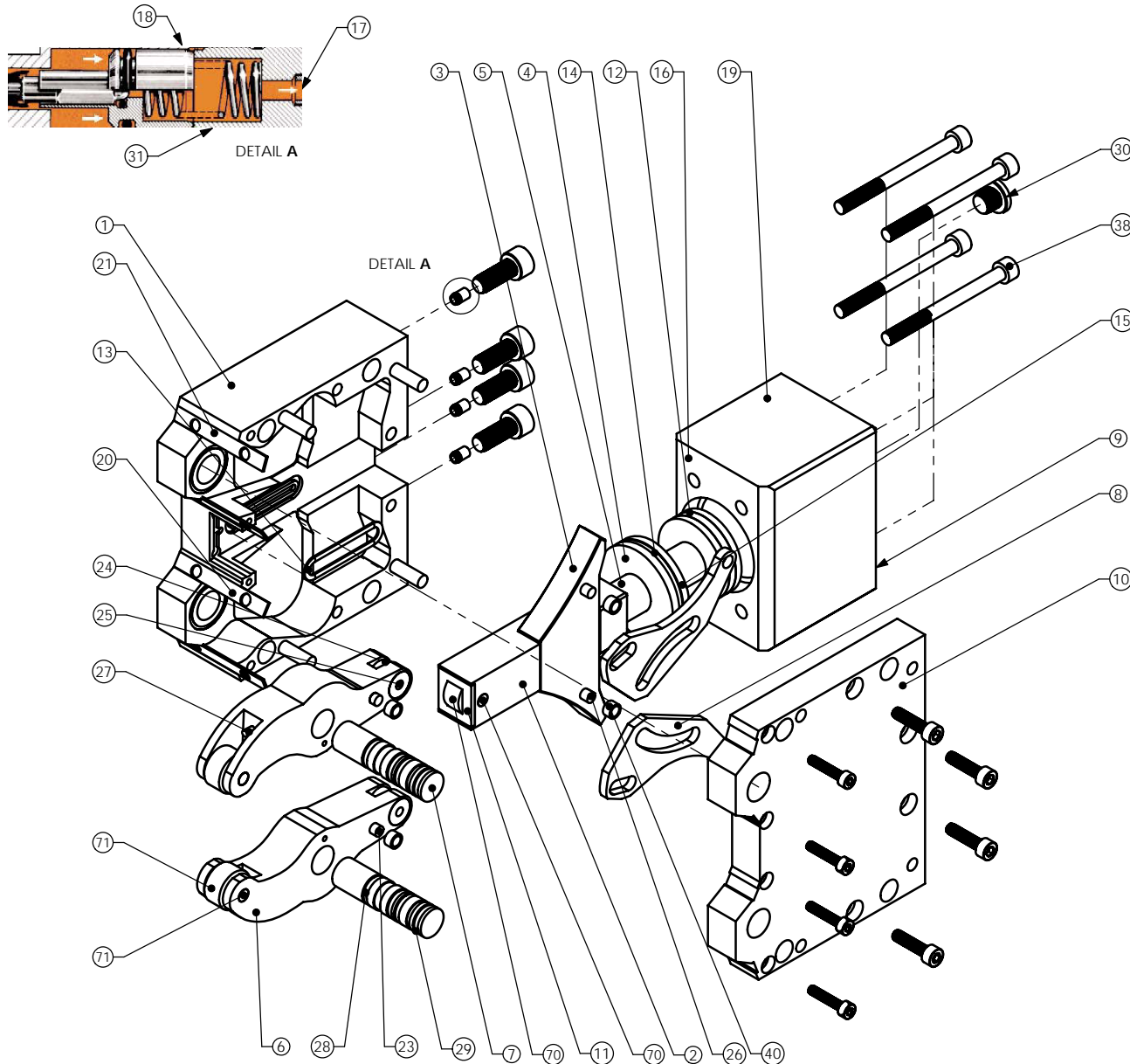
October 1, 2007

30222 Esperanza
RSM, CA 92688
P 800/321.1833
800.423.4651
www.ats-s.com



SLZ - OMNIREST GENERAL PARTS LIST

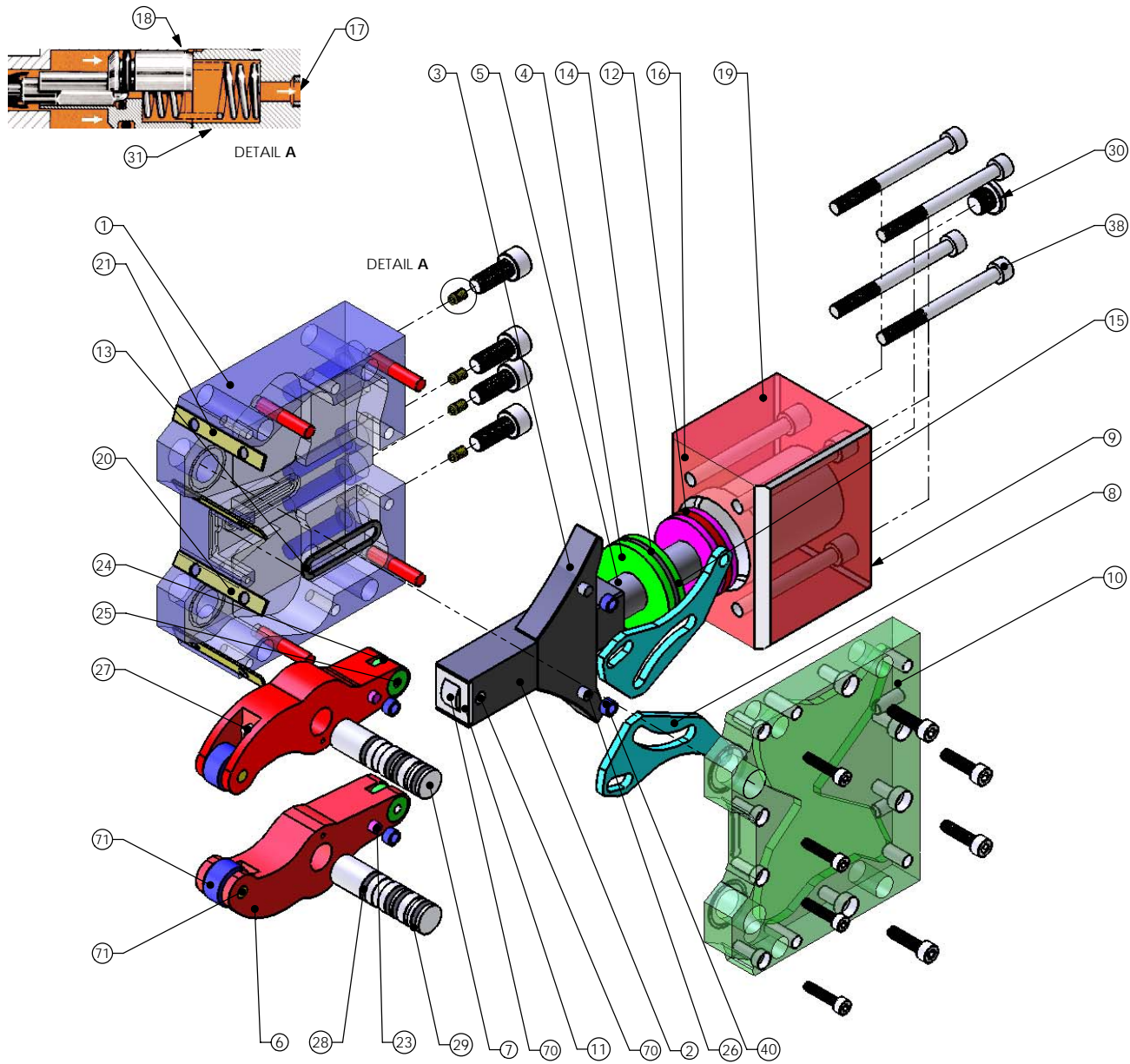
ITEM NO.	DESCRIPTION
1	Body Omnirest
2	Middle Piece
3	Cam
4	Cover Cylinder
5	Piston
6	Arm
7	Arm Pin Pivot
8	Pull Back Plate
9	Cover Sensor Switch
10	Cover Body
11	Wiper, Middle Piece
12	Turcon Ring Piston
13	O-Ring Middle Piece
14	O-Ring Cylinder Cover
15	Turcon Ring Piston Rod
16	Spacer, Check Valve
17	Plug, Meter Unit
18	Meter Unit
19	Body Cylinder
20	Wiper, Inner Arm
21	Wiper, Outer Arm
23	Pin, Roller Pull Back Plate Arm
24	Roller, Rear
25	Pin, Roller Rear
26	Pin, Rear Roller Pull Back Plate
27	Plunger, Roller Chip Guard
28	O-Ring Pivot Pin
29	O-Ring Pivot Pin
30	Plug Cylinder Body
31	Spring, Meter Unit
38	Plug, M12x10
40	Roller, Pull Back Plate Cam
70	Roller, Middle Assembly
71	Roller, Front Cyl. Assembly
X	Seal Kit (12, 13, 14, 15, 22, 28, 29)





SLZ - OMNIREST GENERAL PARTS LIST

ITEM NO.	DESCRIPTION
1	Body Omnirest
2	Middle Piece
3	Cam
4	Cover Cylinder
5	Piston
6	Arm
7	Arm Pin Pivot
8	Pull Back Plate
9	Cover Sensor Switch
10	Cover Body
11	Wiper, Middle Piece
12	Turcon Ring Piston
13	O-Ring Middle Piece
14	O-Ring Cylinder Cover
15	Turcon Ring Piston Rod
16	Spacer, Check Valve
17	Plug, Meter Unit
18	Meter Unit
19	Body Cylinder
20	Wiper, Inner Arm
21	Wiper, Outer Arm
23	Pin, Roller Pull Back Plate Arm
24	Roller, Rear
25	Pin, Roller Rear
26	Pin, Rear Roller Pull Back Plate
27	Plunger, Roller Chip Guard
28	O-Ring Pivot Pin
29	O-Ring Pivot Pin
30	Plug Cylinder Body
31	Spring, Meter Unit
38	Plug, M12x10
40	Roller, Pull Back Plate Cam
70	Roller, Middle Assembly
71	Roller, Front Cyl. Assembly
X	Seal Kit (12, 13, 14, 15, 22, 28, 29)





ATS Systems
Omnirest SLZ Model Parts List

9/26/2007

Model	Size	REF #	ATS Part #	Part Description
SLZ	047		23100010	SLZ 047 Complete Unit
SLZ	047	1	23100260	Body Omnirest
SLZ	047	2	23100330	Middle Piece
SLZ	047	3	23100290	Cam
SLZ	047	4	23100360	Cover Cylinder
SLZ	047	5	23100350	Piston
SLZ	047	6	23100240	Arm
SLZ	047	7	23100130	Pin Pivot
SLZ	047	8	23100270	Pull Back Plate
SLZ	047	9		Not Required for this model
SLZ	047	10	23100140	Cover, Boby
SLZ	047	11A	23100320	Wiper, Middle Piece
SLZ	047	11B		
SLZ	047	12	23100600	Turcon-Ring Piston
SLZ	047	13	23100601	O-Ring Middle Piece
SLZ	047	14	23100602	O-Ring Cylinder Cover
SLZ	047	15	23100603	Turcon-Ring Piston Rod
SLZ	047	16		Spacer Check Valve
SLZ	047	17	23100510	Plug, Meter Unit
SLZ	047	18	23001030	Meter Unit
SLZ	047	19	23100190	Body Cylinder
SLZ	047	20	23100250	Wiper, Inner Arm
SLZ	047	21	23100250	Wiper, Outer Arm
SLZ	047	22	23100604	Seal Ring
SLZ	047	23	23100180	Pin, Roller Pull Back Plate Arm
SLZ	047	24	23100160	Roller, Rear
SLZ	047	25	23100170	Pin, Rear Roller
SLZ	047	26	23100180	Pin, Rear Roller Pull Back Plate
SLZ	047	27	23100450	Plunger, Roller Chip Guard
SLZ	047	28	23100605	O-Ring Pivot Pin
SLZ	047	29	23100605	O-Ring Pivot Pin
SLZ	047	30	23100380	Plug Cylinder Body
SLZ	047	31		Spring
SLZ	047	32		Spacer Piston
SLZ	047	33	23100120	Guard, Chip Front Roller
SLZ	047	34	23100150	Roller, Pull Back Plate Arm
SLZ	047	35		Bushing, Rear Roller Pin
SLZ	047	36	23100460	Disc, Rear Roller Pin
SLZ	047	37		Not Required for this model
SLZ	047	38	23100510	Plug, M12x1
SLZ	047	39	23100280	Check Valve
SLZ	047	40	23100150	Roller, Pull Back Plate Cam
SLZ	047	50		
SLZ	047	51		
SLZ	047	52		
SLZ	047	53		
SLZ	047	54		
SLZ	047	55		
SLZ	047	56		
SLZ	047	57		



ATS Systems
Omnirest SLZ Model Parts List

9/26/2007

Model	Size	REF #	ATS Part #	Part Description
SLZ	047	58		
SLZ	047	59		
SLZ	047	60		
SLZ	047	61		
SLZ	047	70	23100100	Front Roller Cylindrical Assmebly
SLZ	047	70A	23100100	Roller, Middle
SLZ	047	70B	23100100	Pin, Middle Roller
SLZ	047	71	23100100	Roller, Front Arm Assembly
SLZ	047	71A	23100100	Roller, Front cylindrical
SLZ	047	71B	23100100	Pin, Front Roller
SLZ	047	71C	23100100	Spacer, Front Roller
SLZ	047	72	Not Available	Not Available
SLZ	047	73	Not Available	Not Available
SLZ	047	X	23100340	Seal Kit
SLZ	08105		23100020	SLZ 08105 Complete Unit
SLZ	08105	1	23100262	Body Omnirest
SLZ	08105	2	23100332	Middle Piece
SLZ	08105	3	23100292	Cam
SLZ	08105	4	23100362	Cover Cylinder
SLZ	08105	5	23100352	Piston
SLZ	08105	6	23100242	Arm
SLZ	08105	7	23100132	Pivot Pin
SLZ	08105	8	23100272	Pull Back Plate
SLZ	08105	9	23100472	Cover, Senser Switch
SLZ	08105	10	23100142	Cover, Body
SLZ	08105	11A	23100321	Wiper, Middle Piece Cylindrical
SLZ	08105	11B	23100322	Wiper, Middle Piece Spherical
SLZ	08105	12	23100606	Turcon-Ring Piston
SLZ	08105	13	23100607	O-Ring Middle Piece
SLZ	08105	14	23100608	O-Ring Cylinder Cover
SLZ	08105	15	23100609	Turcon-Ring Piston Rod
SLZ	08105	16	23100482	Spacer, Check Valve
SLZ	08105	17	23100212	Plug,Meter Unit
SLZ	08105	18	23001030	Meter Unit
SLZ	08105	19	23100192	Cylinder, Body
SLZ	08105	20	23100253	Wiper, Inner Arm
SLZ	08105	21	23100252	Wiper, Outer Arm
SLZ	08105	22	23100610	Seal Ring
SLZ	08105	23	23100232	Pin, Roller Pull Back Plate Arm
SLZ	08105	24	23100162	Rear Roller
SLZ	08105	25	23100172	Pin, Rear Roller
SLZ	08105	26	23100182	Pin, Pull Back Plate Cam
SLZ	08105	27	23100452	Plunger, Roller Chip Guard
SLZ	08105	28	23100611	O-Ring Pivot Pin Large
SLZ	08105	29	23100611	O-Ring Pivot Pin Small
SLZ	08105	30	23100382	Plug, Cylinder Body M10x1
SLZ	08105	31	23100222	Spring, Metering Pin
SLZ	08105	32		Not Required for this model
SLZ	08105	33	23100122	Guard, Chip Front Roller
SLZ	08105	34		Not Required for this model



ATS Systems
Omnirest SLZ Model Parts List

9/26/2007

Model	Size	REF #	ATS Part #	Part Description
SLZ	08105	35		Not Required for this model
SLZ	08105	36		Not Required for this model
SLZ	08105	37		Not Required for this model
SLZ	08105	38	23100512	Plug M12x1
SLZ	08105	39	23100282	Spacer Check Valve
SLZ	08105	40		Not Required for this model
SLZ	08105	50		
SLZ	08105	51		
SLZ	08105	52		
SLZ	08105	53		
SLZ	08105	54		
SLZ	08105	55		
SLZ	08105	56		
SLZ	08105	57		
SLZ	08105	58		
SLZ	08105	59		
SLZ	08105	60		
SLZ	08105	61		
SLZ	08105	70	23100102	Front Roller Middle W/Pin Cylindrical
SLZ	08105	70A	23100102	Roller, Middle
SLZ	08105	70B	23100102	Pin, Middle Roller
SLZ	08105	71	23100102	Front Roller Assembly Cylindrical
SLZ	08105	71A	23100102	Roller Front Arm
SLZ	08105	71B	23100102	Pin, Front Arm Roller
SLZ	08105	71C	23100102	Spacer Front Roller Arm
SLZ	08105	72	23100112	Middle Roller Assembly Spherical
SLZ	08105	73	23100113	Front Roller Assmebly Spherical
SLZ	08105	X	23100342	Seal Kit
SLZ	1517		23100035	SLZ 1517 Complete Unit
SLZ	1517	1	23100264	Body Omnirest
SLZ	1517	2	23100334	Middle Piece
SLZ	1517	3	23100294	Cam
SLZ	1517	4	23100364	Cover Cylinder
SLZ	1517	5	23100354	Piston
SLZ	1517	6	23100244	Arm
SLZ	1517	7	23100134	Pin Pivot
SLZ	1517	8	23100274	Pull Back Plate
SLZ	1517	9	23100474	Cover, Sencer Switch
SLZ	1517	10	23100144	Cover, Boby
SLZ	1517	11A	23100324	Wiper, Middle Piece Cylindrical
SLZ	1517	11B	23100325	Wiper, Middle Piece Spherical
SLZ	1517	12	23100612	Turcon-Ring Piston
SLZ	1517	13	23100613	O-Ring Middle Piece
SLZ	1517	14	23100619	O-Ring Cylinder Cover
SLZ	1517	15	23100621	Turcon-Ring Piston Rod
SLZ	1517	16	23100484	Spacer, Check Valve
SLZ	1517	17		
SLZ	1517	18	23001030	Meter Unit (3x) 602114 (7x) 602112
SLZ	1517	19	23101094	Body Cylinder
SLZ	1517	20	23100254	Wiper, Chips Inner Arm



ATS Systems
Omnirest SLZ Model Parts List

9/26/2007

Model	Size	REF #	ATS Part #	Part Description
SLZ	1517	21	23100254	Wiper, Chips Outer Arm
SLZ	1517	22	23100615	Seal Ring
SLZ	1517	23	23100184	Pin, Roller Pull Back Plate Arm
SLZ	1517	24	23100164	Roller, Rrer
SLZ	1517	25	23100174	Pin, Rear Roller
SLZ	1517	26	23100184	Pin, Pull Back Plate Cam
SLZ	1517	27	23100454	Plunger, Roller Chip guard
SLZ	1517	28	23100616	O-Ring Pivot Pin Large
SLZ	1517	29	23100617	O-Ring Pivot Pin Small
SLZ	1517	30	23100380	Plug Cylinder Body
SLZ	1517	31	23100224	Spring, Meter Unit
SLZ	1517	32		
SLZ	1517	33	23100124	Guard, Chip Front Roller
SLZ	1517	34	23100154	Roller, Pull Back Plate Arm
SLZ	1517	35		
SLZ	1517	36		
SLZ	1517	37	23100504	Plate Cover
SLZ	1517	38	23100512	Plug Cylinder Body
SLZ	1517	39	23100284	Check Valve
SLZ	1517	40	23100154	Roller, Puller Back Plate Cam
SLZ	1517	50		
SLZ	1517	51		
SLZ	1517	52		
SLZ	1517	53	23100630	
SLZ	1517	54		
SLZ	1517	55		
SLZ	1517	56		
SLZ	1517	57		
SLZ	1517	58		
SLZ	1517	59		
SLZ	1517	60		
SLZ	1517	61		
SLZ	1517	70	23100104	Front Roller Cylindrical Assmbley
SLZ	1517	70A	23100104	Roller, Middle
SLZ	1517	70B	23100104	Pin, Middle Roller
SLZ	1517	71	23100104	Front Roller Assembly
SLZ	1517	71A	23100104	Roller, Front Cylindrical
SLZ	1517	71B	23100104	Pin, Front Roller Arm
SLZ	1517	71C	23100104	Spacer, Front Roller
SLZ	1517	72	23100114	Roller, Middle Spherical Assembly
SLZ	1517	73	23100114	Roller, Front Spherical Assembly
SLZ	1517	X	23100344	Seal Kit
SLZ	60268		23100042	SLZ 60268 Complete Unit
SLZ	60268	1	23100266	Body Omnirest
SLZ	60268	2	23100335	Middle Piece
SLZ	60268	3	23100296	Cam
SLZ	60268	4	23100366	Cover Cylinder
SLZ	60268	5	23100356	Piston
SLZ	60268	6	23100246	Arm
SLZ	60268	7	23100136	Pin Pivot



ATS Systems
Omnirest SLZ Model Parts List

9/26/2007

Model	Size	REF #	ATS Part #	Part Description
SLZ	60268	8	23100276	Pull Back Plate
SLZ	60268	9	23100474	Cover, Sencer Switch
SLZ	60268	10	23100146	Cover, Boby
SLZ	60268	11A	23100335	Wiper, Middle Piece Cylindrical
SLZ	60268	11B	23100336	Wiper, Middle Piece Spherical
SLZ	60268	12	23100618	Turcon-Ring Piston
SLZ	60268	13	23100619	O-Ring Middle Piece
SLZ	60268	14	23100620	O-Ring Cylinder Cover
SLZ	60268	15	23100621	Turcon-Ring Piston Rod
SLZ	60268	16	23100484	Spacer, Check Valve
SLZ	60268	17	23100216	Plug, Meter Unit
SLZ	60268	18	23001113	Meter Unit
SLZ	60268	19	23101096	Body Cylinder
SLZ	60268	20	23100255	Wiper, Chips Inner Arm
SLZ	60268	21	23100255	Wiper, Chips Outer Arm
SLZ	60268	22	23100622	Seal Ring
SLZ	60268	23	23100236	Pin, Roller Pull Back Plate Arm
SLZ	60268	24		Not Required for this model
SLZ	60268	25	23100176	Pin, Rear Roller
SLZ	60268	26	23100186	Pin, Pull Back Plate Cam
SLZ	60268	27	23100456	Plunger, Roller Chip Guard
SLZ	60268	28	23100623	O-Ring Pivot Pin Large
SLZ	60268	29	23100623	O-Ring Pivot Pin Small
SLZ	60268	30	23100386	Plug, Cylinder Body
SLZ	60268	31	23100226	Spring, Meter Unit
SLZ	60268	32		
SLZ	60268	33	23100129	Guard, Chip Front Roller
SLZ	60268	34		Not Required for this model
SLZ	60268	35	23100496	Bushing Rear Roller Pin
SLZ	60268	36	23100466	Disc, Rear Roller Pin
SLZ	60268	37		Not Required for this model
SLZ	60268	38	23100516	Plug
SLZ	60268	39	23100284	Check Valve
SLZ	60268	40	23100156	Roller, Pull Back Plate Cam
SLZ	60268	50		
SLZ	60268	51		
SLZ	60268	52		
SLZ	60268	53		
SLZ	60268	54		
SLZ	60268	55		
SLZ	60268	56		
SLZ	60268	57		
SLZ	60268	58		
SLZ	60268	59		
SLZ	60268	60		
SLZ	60268	61		
SLZ	60268	70	23100105	Middle Roller Assembly
SLZ	60268	70A		Roller, Middle
SLZ	60268	70B		Pin, Front Middle
SLZ	60268	71	23100105	Front Roller Assembly on Arm



ATS Systems
Omnirest SLZ Model Parts List

9/26/2007

Model	Size	REF #	ATS Part #	Part Description
SLZ	60268	71A		Roller, Front Cylindrical
SLZ	60268	71B		Pin , Front Roller
SLZ	60268	71C		Spacer, Front Roller
SLZ	60268	72	23100115	Roller, Middle Spherical Assembly
SLZ	60268	73	23100115	Roller, Front Spherical Assembly
SLZ	60268	X	23100346	Seal Kit
SLZ	325		23100040	SLZ 325 Complete Unit
SLZ	325	1	23100266	Body Omnirest
SLZ	325	2	23100336	Middle Piece
SLZ	325	3	23100296	Cam
SLZ	325	4	23100366	Cover Cylinder
SLZ	325	5	23100356	Piston
SLZ	325	6	23100246	Arm
SLZ	325	7	23100136	Pin Pivot
SLZ	325	8	23100276	Pull Back Plate
SLZ	325	9	23100474	Cover, Sencer Switch
SLZ	325	10	23100146	Cover, Boby
SLZ	325	11A	23100326	Wiper, Middle Piece Cylindrical
SLZ	325	11B	23100327	Wiper, Middle Piece Spherical
SLZ	325	12	23100618	Turcon-Ring Piston
SLZ	325	13	23100619	O-Ring Middle Piece
SLZ	325	14	23100620	O-Ring Cylinder Cover
SLZ	325	15	23100621	Turcon-Ring Piston Rod
SLZ	325	16	23100484	Spacer, Check Valve
SLZ	325	17		
SLZ	325	18	23001113	Meter Unit
SLZ	325	19	23101096	Body Cylinder
SLZ	325	20	23100256	Wiper, Chips Inner Arm
SLZ	325	21	23100256	Wiper, Chips Outer Arm
SLZ	325	22	23100622	Seal Ring
SLZ	325	23	23100236	Pin, Roller Pull Back Plate Arm
SLZ	325	24		Not Required for this model
SLZ	325	25	23100176	Pin, Rear Roller
SLZ	325	26	23100186	Pin, Pull Back Plate Cam
SLZ	325	27	23100456	Plunger, Roller Chip Guard
SLZ	325	28	23100623	O-Ring Pivot Pin Large
SLZ	325	29	23100623	O-Ring Pivot Pin Small
SLZ	325	30	23100386	Plug, Cylinder Body
SLZ	325	31	23100226	Spring, Meter Unit
SLZ	325	32		
SLZ	325	33	23100126	Guard, Chip Front Roller
SLZ	325	34		Not Required for this model
SLZ	325	35	23100496	Bushing Rear Roller Pin
SLZ	325	36	23100466	Disc, Rear Roller Pin
SLZ	325	37		Not Required for this model
SLZ	325	38	23100516	Plug
SLZ	325	39	23100284	Check Valve
SLZ	325	40	23100156	Roller, Pull Back Plate Cam
SLZ	325	50		
SLZ	325	51		



Model	Size	REF #	ATS Part #	Part Description
SLZ	325	52	23100618	
SLZ	325	53	23100632	
SLZ	325	54		
SLZ	325	55		
SLZ	325	56		
SLZ	325	57		
SLZ	325	58		
SLZ	325	59		
SLZ	325	60		
SLZ	325	61		
SLZ	325	70	23100106	Middle Roller Assembly
SLZ	325	70A	23100106	Roller, Middle
SLZ	325	70B	23100106	Pin, Front Middle
SLZ	325	71	23100106	Front Roller Assembly on Arm
SLZ	325	71A	23100106	Roller, Front Cylindrical
SLZ	325	71B	23100106	Pin , Front Roller
SLZ	325	71C	23100106	Spacer, Front Roller
SLZ	325	72	23100116	Roller, Middle Spherical Assembly
SLZ	325	73	23100116	Roller, Front Spherical Assembly
SLZ	325	X	23100346	Seal Kit
SLZ	531/50315		23100050	SLZ 531 Complete Unit
SLZ	531/50315	1	23100268	Body Omnirest
SLZ	531/50315	2	23100338	Middle Piece
SLZ	531/50315	3	23100298	Cam
SLZ	531/50315	4	23100368	Cover Cylinder
SLZ	531/50315	5	23100358	Piston
SLZ	531/50315	6	23100248	Arm
SLZ	531/50315	7	23100138	Pin Pivot
SLZ	531/50315	8	23100278	Pull Back Plate
SLZ	531/50315	9	23100474	Cover, Sencer Switch
SLZ	531/50315	10	23100148	Cover, Boby
SLZ	531/50315	11A	23100328	Wiper, Middle Piece Cylindrical
SLZ	531/50315	11B	23100329	Wiper, Middle Piece Spherical
SLZ	531/50315	12	23100618	Turcon-Ring Piston
SLZ	531/50315	13	23100625	O-Ring Middle Piece
SLZ	531/50315	14	23100620	O-Ring Cylinder Cover
SLZ	531/50315	15	23100621	Turcon-Ring Piston Rod
SLZ	531/50315	16	23100484	Spacer, Check Valve
SLZ	531/50315	17		Not Required for this model
SLZ	531/50315	18	23001113	Meter Unit
SLZ	531/50315	19	23101098	Body Cylinder
SLZ	531/50315	20	23100258	Wiper, Chips Inner Arm
SLZ	531/50315	21	23100258	Wiper, Chips Outer Arm
SLZ	531/50315	22	23100622	Seal Ring
SLZ	531/50315	23	23100188	Pin, Roller Pull Back Plate Arm
SLZ	531/50315	24	23100168	Roller, Rrer
SLZ	531/50315	25	23100178	Pin, Rear Roller
SLZ	531/50315	26	23100188	Pin, Pull Back Plate Cam
SLZ	531/50315	27	23100458	Plunger, Roller Chip Guard
SLZ	531/50315	28	23100626	O-Ring Pivot Pin Large



ATS Systems
Omnirest SLZ Model Parts List

9/26/2007

Model	Size	REF #	ATS Part #	Part Description
SLZ	531/50315	29	23100607	O-Ring Pivot Pin Small
SLZ	531/50315	30	23100386	Plug, Cylinder Body
SLZ	531/50315	31	23100226	Spring, Meter Unit
SLZ	531/50315	32		Not Required for this model
SLZ	531/50315	33	23100128	Guard, Chip Front Roller
SLZ	531/50315	34	23100158	Roller, Pull Back Plate Arm
SLZ	531/50315	35		Not Required for this model
SLZ	531/50315	36		Not Required for this model
SLZ	531/50315	37		Bracket
SLZ	531/50315	38	23100516	Plug
SLZ	531/50315	39	23100284	Check Valve
SLZ	531/50315	40	23100158	Roller, Pull Back Plate Cam
SLZ	531/50315	50		
SLZ	531/50315	51		
SLZ	531/50315	52	23100618	
SLZ	531/50315	53	23100634	
SLZ	531/50315	54		
SLZ	531/50315	55		
SLZ	531/50315	56	23100706	
SLZ	531/50315	57		
SLZ	531/50315	58		
SLZ	531/50315	59		
SLZ	531/50315	60		
SLZ	531/50315	61		
SLZ	531/50315	70	23100108	Front Roller Cylindrical Assmebly
SLZ	531/50315	70A	23100108	Roller, Middle
SLZ	531/50315	70B	23100108	Pin, Middle Roller
SLZ	531/50315	71	23100108	Front Roller Assembly
SLZ	531/50315	71A	23100108	Roller, Front Cylindrical
SLZ	531/50315	71B	23100108	Pin, Front Roller Arm
SLZ	531/50315	71C	23100108	Spacer, Front Roller
SLZ	531/50315	72	23100118	Roller, Middle Spherical Assembly
SLZ	531/50315	73	23100118	Roller, Front Spherical Assembly
SLZ	531/50315	X	23100348	Seal Kit