



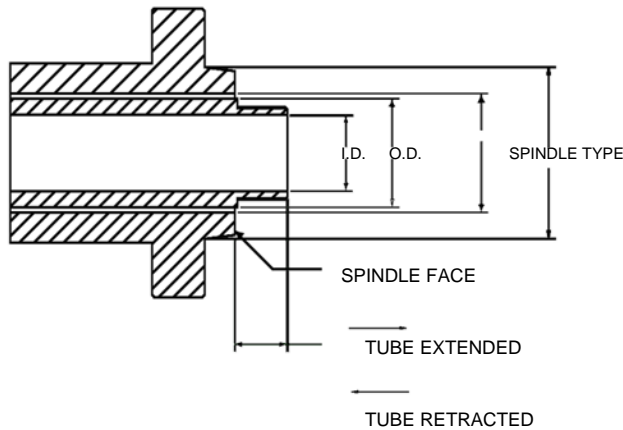
CUSTOMER: _____

FAX#: _____

ATTN: _____

FROM: _____

PLEASE TAKE FORWARD AND RETRACTED MEASUREMENTS FROM THE SPINDLE FACE



DRAWTUBE THREAD INFO

THREAD MAJOR: _____

PITCH OF THREAD: _____

LENGTH OF THREAD: _____

INTERNAL OR EXTERNAL: _____

DRAWTUBE EXTENDED: _____

DRAWTUBE RETRACTED: _____

MACHINE INFORMATION

MAKE : _____

MODEL : _____

YEAR: _____

SERIAL# _____

SPINDLE TYPE : _____

JAW CHUCK PACKAGE ON MACHINE

MAKE : _____

MODEL : _____

DRAWTUBE I.D. : _____

DRAWTUBE O.D. : _____

CYLINDER INFORMATION

MAKE : _____

MODEL : _____

PARTS CATCHER

ADJUSTABLE ? Yes / No

LENGTH OF ADJUSTABILTY: _____

DISTANCE OF PARTS CATCHER TO SPINDLE FACE _____

DIAMETER OF SPINDLE BORE

COUNTERBORE ? Yes / No

DIAMETER : _____

LENGTH : _____